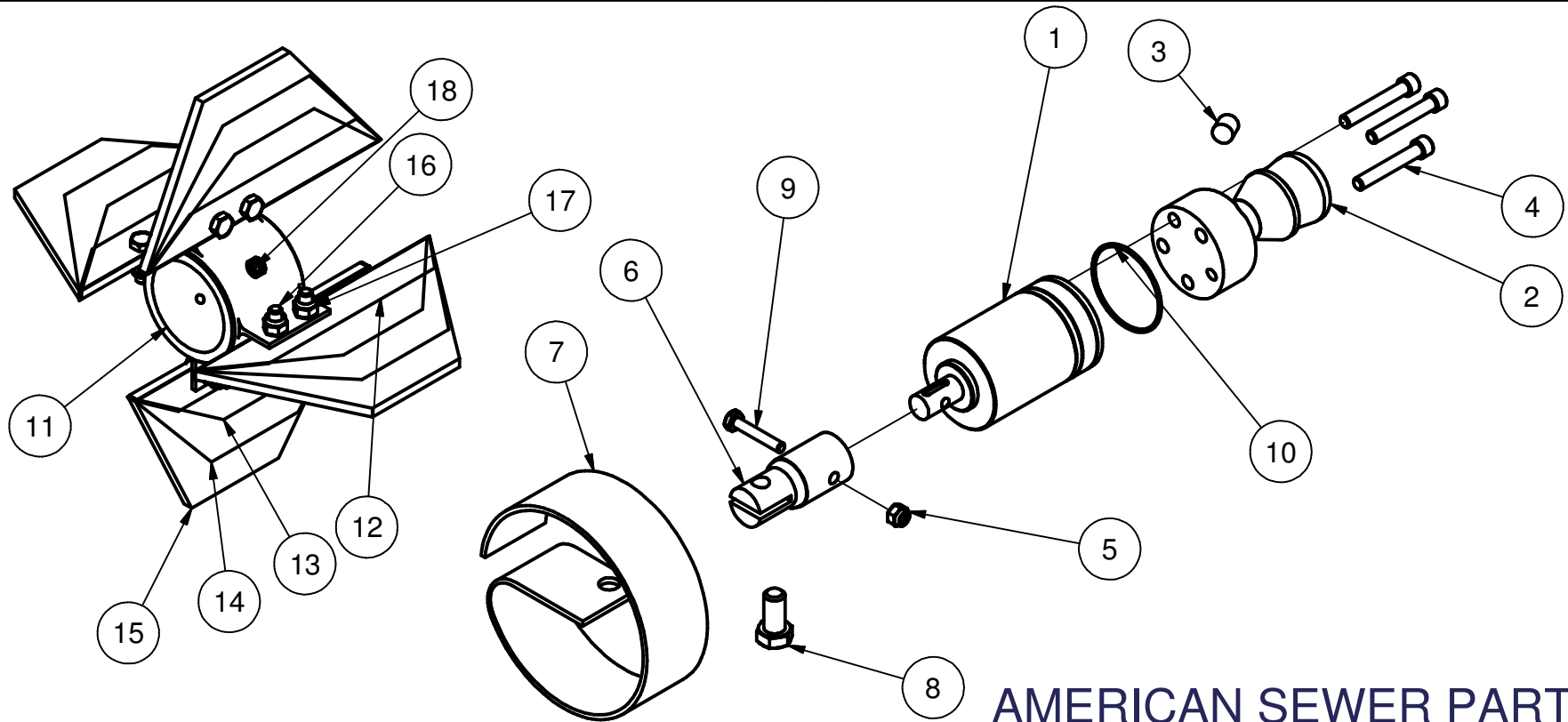


Parts List for 950-2000 SERIES CUTTERS				Parts List for 950-2000 SERIES CUTTERS			
ITEM	QTY	PART NUMBE	DESCRIPTION	ITEM	QTY	PART NUMBE	DESCRIPTION
1	1	950-210	DRIVE MOTOR	10	1	950-300	SEAL KIT
2	1	950-212	TAIL NOZZLE	11	1	950-240	SKID COLLAR
3	1	950-213/214	EXHAUST ORFICE **	12	1	950-226	SKID EXTENSION, 6"
4	1	950-215	BOLT, 5/16-24 X 2 SOC HD	13	1	950-228	Skid Extension, 8 in.
5	1	950-31	NUT, 1/4-20 NYLOK	14	1	950-230	SKID EXTENSION, 10 in.
6	1	950-220	HUB, 5/8" LATERAL	15	1	950-232	SKID EXTENSION, 12 in.
7	1	7600-8	SEE SAW BLADE CATALOG	16	1	950-245	BOLT, 5/16-18 X 1
8	1	950-28	BOLT, 1/2-13 X 1 HEX HD	17	1	950-246	5/16 Std NC Nylock Nut
9	1	950-30	BOLT, 1/4-20 X 1-1/2" HEX HD	18	1	950-247	SCREW, SET 3/8-18 X 1/2



**AMERICAN SEWER PARTS
AND CLEANING, INC.**

950-2000

*950-213 EXHAUST ORFICE FOR UP TO 3/4" HOSE
 *950-214 EXHAUST ORFICE FOR 1" HOSE

THIS DOCUMENT AND DATA DISCLOSED IS NOT TO BE REPRODUCED, USED,
 OR DISCLOSED IN WHOLE OR IN PART TO ANYONE WITHOUT PERMISSION OF
 AMERICAN SEWER PARTS AND CLEANING, INC.