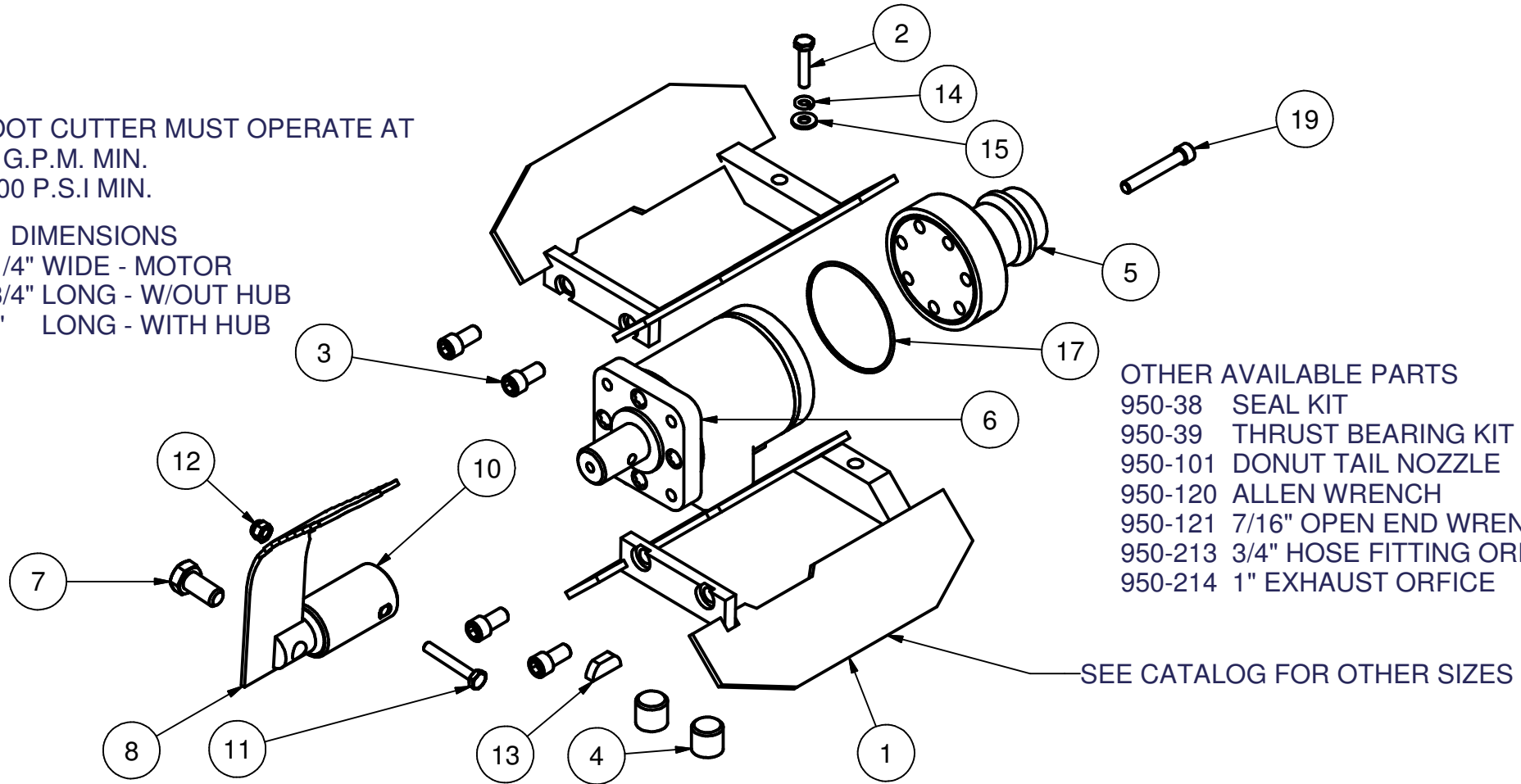


Parts List for 950-1000 SERIES CUTTERS			
ITEM	QTY	PART NUMBER	DESCRIPTION
1	1	950-105	10" SKID ASSY
2	1	950-25	BOLT, 1/4-20 X 1-3/4 HEX HD
3	1	950-26	BOLT, 3/8-16 X 3/4
4	1	950-27	1/2" PIPE PLUG
5	1	950-100	TAIL NOZZLE
6	1	950-110	MOTOR
7	1	950-28	BOLT, 1/2-13 X 1
8	1	7600 ?	SEE SAW BLADE CATALOG

Parts List for 950-1000 SERIES CUTTERS			
ITEM	QTY	PART NUMBER	DESCRIPTION
10	1	950-167	HUB
11	1	950-30	BOLT, 1/4-20 X 1-3/4 HEX HD
12	1	950-31	NUT, 1/4-20 NYLOK
13	1	950-32	KEY
14	1	10-0250-100	WASHER, 1/4 LOCK
15	1	10-0250-011	WASHER, 1/4 FLAT
17	1	950-34	O-RING, TAILPIECE
19	1	950-36	BOLT, 5/16-24 X 2

ROOT CUTTER MUST OPERATE AT
35 G.P.M. MIN.
1500 P.S.I. MIN.

DIMENSIONS
3 1/4" WIDE - MOTOR
9 3/4" LONG - W/OUT HUB
12" LONG - WITH HUB



- OTHER AVAILABLE PARTS
- 950-38 SEAL KIT
 - 950-39 THRUST BEARING KIT
 - 950-101 DONUT TAIL NOZZLE
 - 950-120 ALLEN WRENCH
 - 950-121 7/16" OPEN END WRENCH
 - 950-213 3/4" HOSE FITTING ORFICE
 - 950-214 1" EXHAUST ORFICE

SEE CATALOG FOR OTHER SIZES

950-1000

THIS DOCUMENT AND DATA DISCLOSED IS NOT TO BE REPRODUCED, USED OR DISCLOSED IN WHOLE OR IN PART TO ANYONE WITHOUT PERMISSION OF AMERICAN SEWER PARTS AND CLEANING, INC.

AMERICAN SEWER PARTS AND CLEANING, INC.