

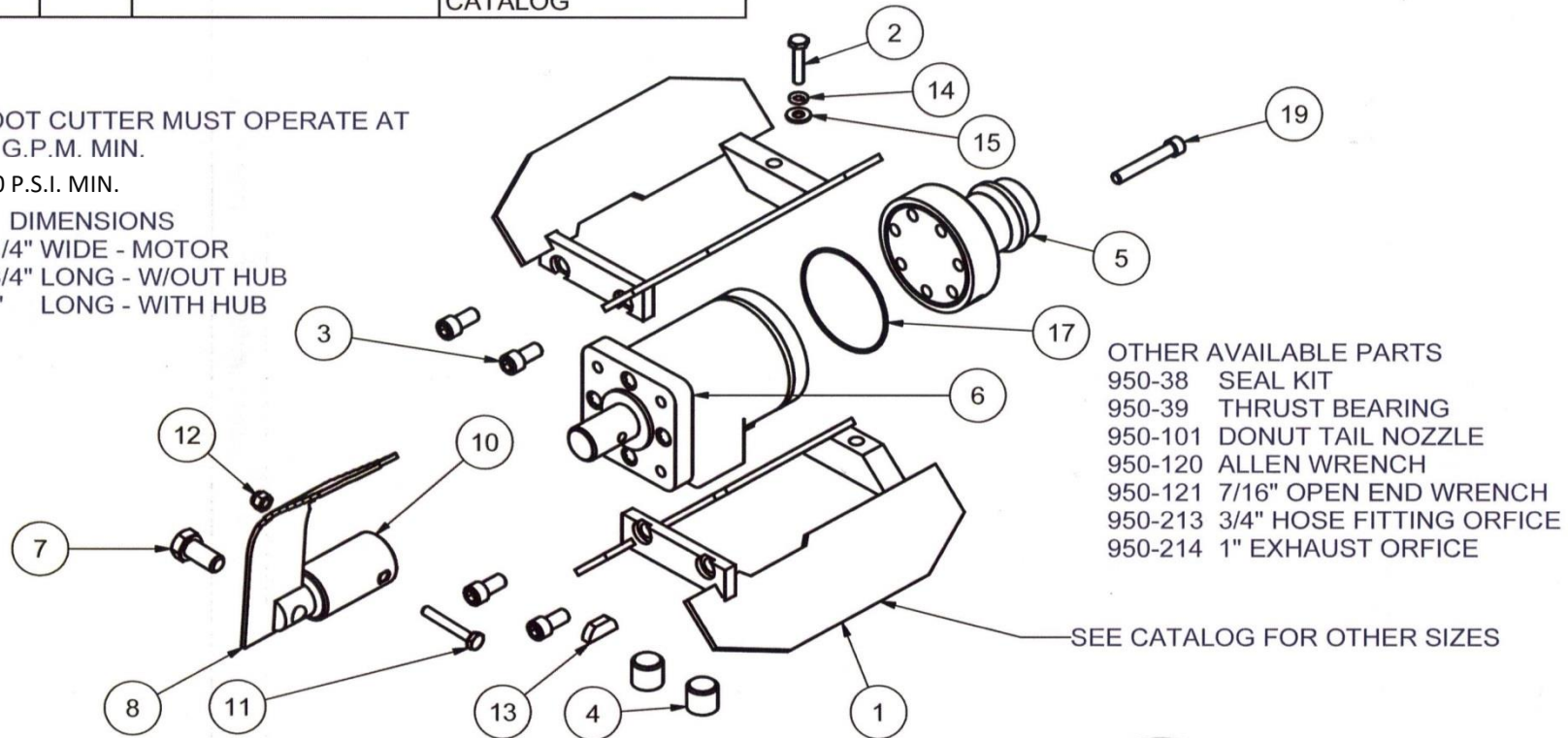
Parts List				Parts List			
ITEM	QTY	PART NUMBER	DESCRIPTION	ITEM	QTY	PART NUMBER	DESCRIPTION
1	2	950-105	10" SKID ASSY	10	1	950-107	HUB
2	2	950-25	BOLT, 1/4-20 X 3/4	11	1	950-30	BOLT, 1/4-20 X 3/4
3	4	950-26	BOLT, 3/8-16 X 3/4	12	1	950-31	NUT, 1/4-20 NYLOK
4	2	950-27	1/2" PIPE PLUG	13	1	950-32	KEY
5	1	950-100	TAIL NOZZLE	14	2	10-0250-100	WASHER, 1/4 LOCK
6	1	950-110	MOTOR	15	2	10-0250-011	WASHER, 1/4 FLAT
7	1	950-28	BOLT, 1/2-13 X 1	17	1	950-34	O-RING, TAILPIECE
8	1	7600 ?	SEE SAW BLADE CATALOG	19	5	950-36	BOLT, 5/16-24 X 2

ROOT CUTTER MUST OPERATE AT  
35 G.P.M. MIN.

900 P.S.I. MIN.

**DIMENSIONS**

3 1/4" WIDE - MOTOR  
9 3/4" LONG - W/OUT HUB  
12" LONG - WITH HUB



**OTHER AVAILABLE PARTS**

- 950-38 SEAL KIT
- 950-39 THRUST BEARING
- 950-101 DONUT TAIL NOZZLE
- 950-120 ALLEN WRENCH
- 950-121 7/16" OPEN END WRENCH
- 950-213 3/4" HOSE FITTING ORFICE
- 950-214 1" EXHAUST ORFICE

SEE CATALOG FOR OTHER SIZES

THIS DOCUMENT AND DATA DISCLOSED IS NOT TO BE REPRODUCED, USED OR DISCLOSED IN WHOLE OR IN PART TO ANYONE WITHOUT PERMISSION

